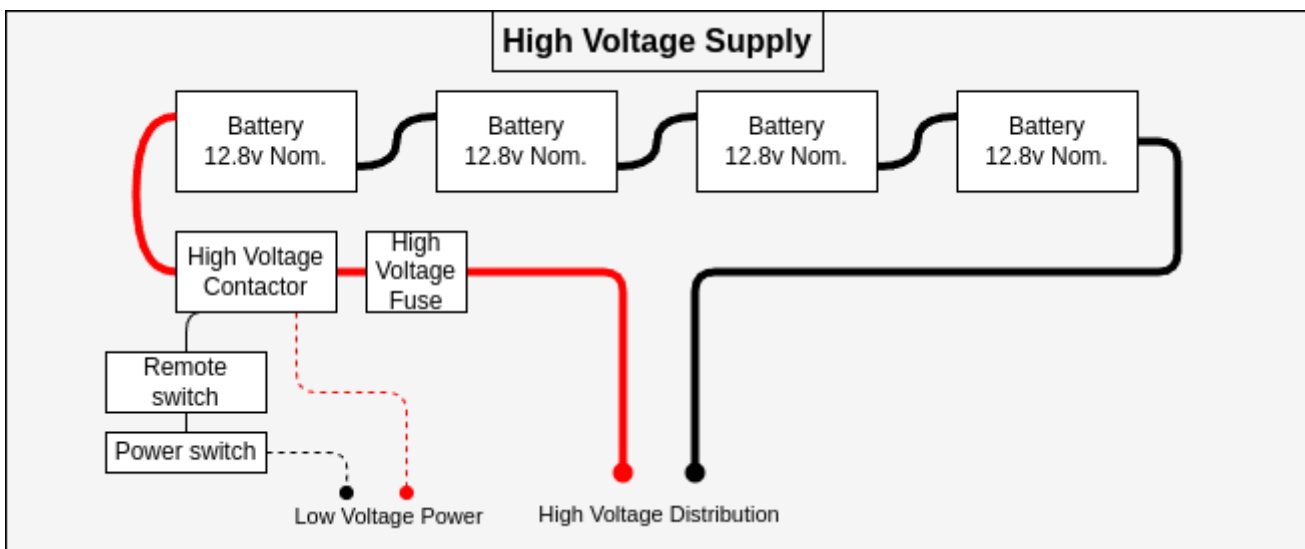


Full System Layout

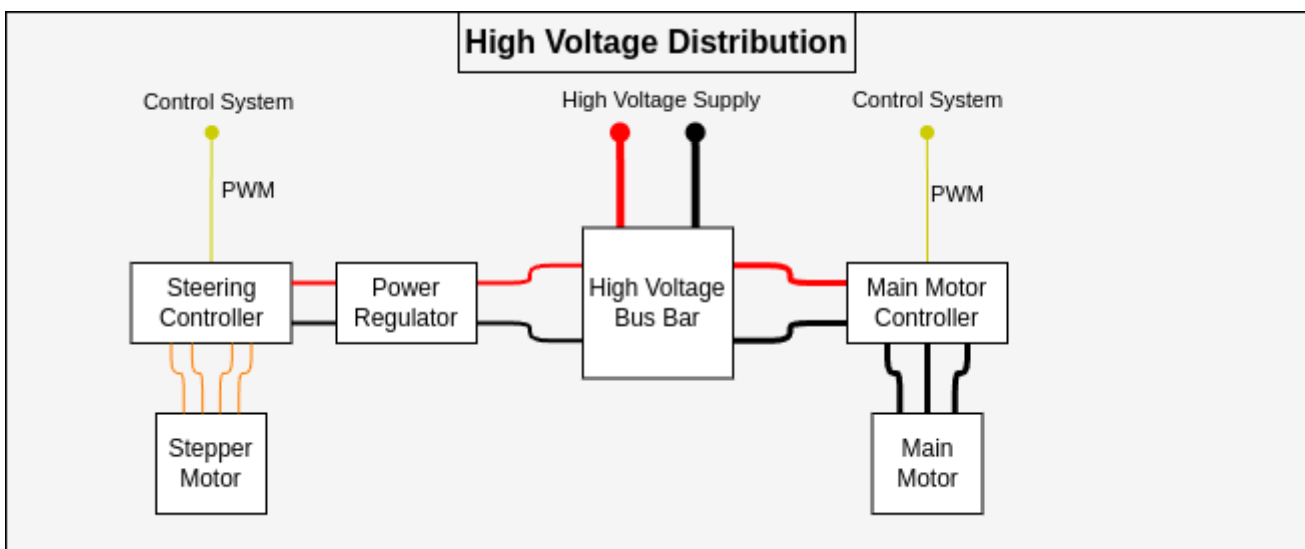
Full System

High Voltage System

High Voltage Supply



High Voltage Distribution



Low Voltage System

Revision #1

Created 6 May 2026 00:28:43 by Caicheng Li

Updated 6 May 2026 00:28:58 by Caicheng Li